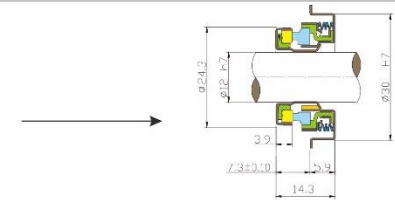
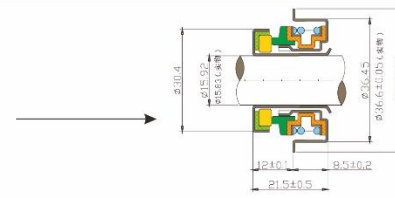
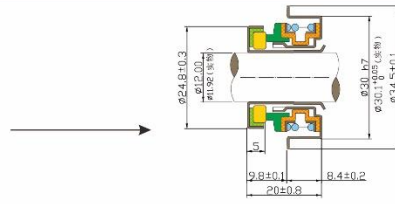
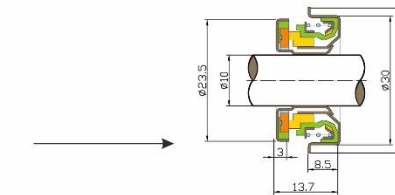
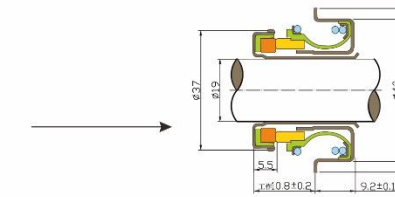
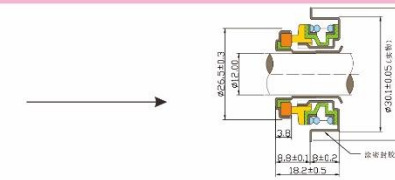


RIMI SEAL AUTOMOTIVE SEAL CATALOG (3)

Popular products



New products



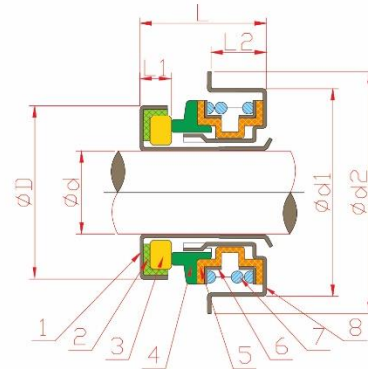


RM FB



Specification:

序号/ITEM	配件/DESCRIPTION	材料/MATERIAL
1	轴套/Shaft sleeve	SUS304
2	橡胶套/Cup Gasket	NBR / HNBR
3	动环/Rotary ring	Alumina ceramic/SiC
4	静环/Stationary ring	Graphite carbon/SiC
5	橡胶波纹管/Bellows	NBR / HNBR
6	弹簧座/Spring seat	SUS304
7	弹簧/Spring	SUS304
8	底座/Bed	SUS304



Application:

Pressure: 0.6MPa
Speed: 15m/s
Temperature: -30℃~220℃

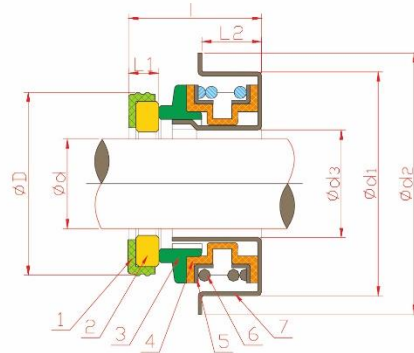
型号/Model	d	d1	d2	D	L	L1	L2
RM FB-12S	12	28.55	32	25	18.2	5	8
RM FB-12M	12	30	35	25	18.2	5	8
RM FB-12L	12	33.4	38	25	18.5	5	6.7
RM FB-12X	12	38.1	43.8	25	18.2	5	8
RM FB-12TL	12	40	43.8	26.5	16.4	4	7.6
RM FB-13	13	30	35	25	18.2	5	8
RM FB-15S	15	30	35	29	20	5	8
RM FB-15M	15	36.45	41.5	29	20.5	5	8
RM FB-16S	16	34.2	39.5	30.5	20.5	5	7
RM FB-16M	16	36.45	41.5	30.5	20.5	5	8
RM FB-16L	16	38.1	43.5	30.5	20.5	5	8
RM FB-16*38.7	16	38.7	43.8	30.5	20.5	5	8.6
RM FB-16XL	16	39.4	43.8	30.5	20.5	5	8.6
RM FB-16T	16	35	41	30.5	22	5	8
RM FB-17	17	35	41	30.5	22	5	8
RM FB-20S	20	38.1	43.8	37	22	6	9.5
RM FB-20	20	40	43.8	37	22	6	9.5
RM FB- 1/2"	12.7	30	35	25	18.2	5	8
RM FB- 5/8"	15.875	36.45	41.5	30.5	20.5	5	8
RM FB- 3/4"	19.05	40	43.8	37	22	6	9.5
RM FB-3/4T	19.05	40	43.8	36	23.5	7.5	9.5

RM F



■ Specification:

序号/ITEM	配件/DESCRIPTION	材料/MATERIAL
1	橡胶套/Cup Gasket	NBR / HNBR
2	动环/Rotary ring	Alumina ceramic/SiC
3	静环/Stationary ring	Graphite carbon/SiC
4	橡胶波纹管/Bellows	NBR / HNBR
5	弹簧座/Spring seat	SUS304
6	弹簧/Spring	SUS304
7	底座/Bed	SUS304



■ Application:

Pressure: 0.5MPa
Speed: 5m/s
Temperature: -20℃ ~ +200℃

型号/Model	d	d3	d1	d2	D	L	L1	L2
RM F-10	10	11	24	29	23	17	4	7
RM F-12S	12	14	28.55	32	25	18.2	5	8
RM F-12M	12	14	30	35	24/23	18	5	8
RM F-12L	12	14	33.4	38	25	18	5	6.7
RM F-16M	16	18.2	36.45	41.5	31	19.8	5	8
RM F-16L	16	18.2	38.1	43.5	31	19.8	5	8
RM F-20S	20	21.4	38.1	43.8	35	20.5	5.5	9.5
RM F-20	20	21.4	40	43.8	35	20.5	5.5	9.5
RM F-25	25	26.4	47	51	44	25	7	10
RM F-25L	25	26.4	52	57	44	25	7	10
RM F-30	30	30.6	52	57	48	27	8	11
RM F-1/2"	12.7	14	30	35	25.4	19.2	6.2	8
RM F-5/8"	15.875	18.2	36.45	41.5	31.75	25	10.3	8
RM F-3/4"	19.05	21.4	40	43.8	34.925	25.8	10.3	9.5
RM F-1/1"	25.4	26.4	47	51	41.275	29	11.1	10
RM F-1 1/8"	28.575	30.6	52	57	47.625	30	11.1	11



RM FBW RM FTK2

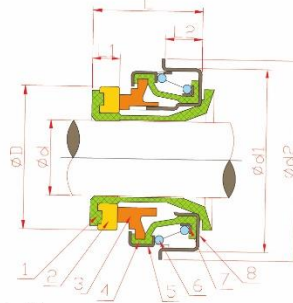


RM FBW

型号/Model	d	d1	d2	D	L	L1	L2
RM FBW-15C	15	36.45	40	28.6	20.5	5.5	7.5
RM FBW-16C	16	36.45	40	28.6	20.5	5.5	7.5

Application:

Pressure: 0.6MPa
Speed: 12m/s
Temperature: -30°C ~ 220°C



Specification:

NO.	配件/DESCRIPTION	材料/MATERIAL
1	轴套/Shaft sleeve	NBR / HNBR
2	动环/Rotary ring	Alumina ceramic/SiC
3	静环/Stationary ring	Graphite carbon
4	橡胶波纹管/Bellows	NBR / HNBR
5	弹簧座A/Spring seat A	SUS304/ BRASS
6	弹簧/Spring	SUS304
7	弹簧座B/Spring seat B	SUS304/ BRASS
8	底座/Bed	SUS304/ BRASS

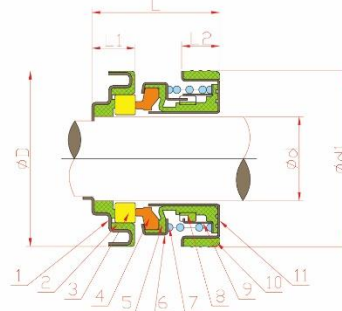


RM FTK2

型号/Model	d	d1	D	L	L1	L2
RM FTK2-25	25	52	52	36.5	13	11.5
RM FTK2-35	35	66	66	40.5	14	13.6

Application:

Pressure: 0.6MPa
Speed: 10m/s
Temperature: -20°C ~ 200°C



Specification:

NO.	配件/DESCRIPTION	材料/MATERIAL
1	骨架/Framework	SUS304/Lron
2	橡胶套/Cup Gasket	NBR / HNBR
3	动环/Rotary ring	Alumina ceramic/SiC
4	静环/Stationary ring	Graphite carbon/SiC
5	橡胶波纹管/Bellows	NBR / HNBR
6	弹簧座A/Spring seat A	SUS304
7	弹簧/Spring	SUS304
8	紧圈/Drive ring	SUS304
9	弹簧座B/Spring seat B	SUS304
10	橡胶套/Cup Gasket	NBR / HNBR
11	底座/Bed	SUS304

RM FBC RM UWP

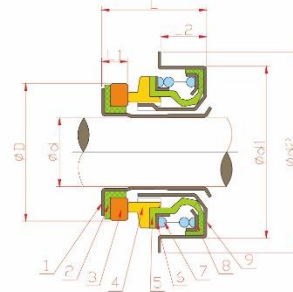


RM FBC

型号/Model	d	d1	d2	D	L	L1	L2
RM FBC-12M	12	30	35	24	18.5	5	8
RM FBC-15M	15	36.45	41.5	29	20	5	8
RM FBC-16M	16	36.45	41.5	29	20	5	8
RM FBC-16L	16	38.1	43.5	30.5	20	5	8
RM FBC-20	20	40	43.5	34	20	6	9.5

Application:

Pressure: 0.6MPa
Speed: 12m/s
Temperature: -30°C ~ 200°C



Specification:

NO.	配件/DESCRIPTION	材料/MATERIAL
1	轴套/Shaft sleeve	SUS304
2	橡胶套/Cup Gasket	NBR / HNBR
3	动环/Rotary ring	Alumina ceramic/SiC
4	静环/Stationary ring	Graphite carbon/SiC
5	橡胶波纹管/Bellows	NBR / HNBR
6	弹簧座A/Spring seat A	SUS304
7	弹簧/Spring	SUS304
8	弹簧座B/Spring seat B	SUS304
9	底座/Bed	SUS304

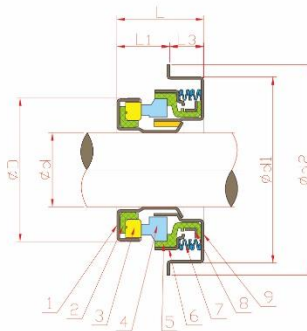


RM UWP

型号/Model	d	d1	d2	D	L	L1	L3
RM UWP-12	12.0	30.0	35.0	24.4	13.0	7.5	5.5
RM UWP-1/2"	12.7	30.0	35.0	24.4	13.0	7.5	5.5
RM UWP-15	15.0	36.6	41.5	32.5	17.1	9.7	7.4
RM UWP-16	16.0	36.6	41.5	32.5	17.1	9.7	7.4

Application:

Pressure: 0.3MPa
Speed: 10m/s
Temperature: -30°C ~ 200°C



Specification:

NO.	配件/DESCRIPTION	材料/MATERIAL
1	轴套/Shaft sleeve	SUS304
2	橡胶套/Cup Gasket	NBR / HNBR
3	动环/Rotary ring	Alumina ceramic/SiC
4	静环/Stationary ring	Graphite carbon/SiC
5	橡胶波纹管/Bellows	NBR / HNBR
6	弹簧座A/Spring seat A	SUS304
7	弹簧/Spring	SUS304(wave spring)
8	弹簧座B/Spring seat B	SUS304
9	底座/Bed	SUS304



RM UH RM UPD

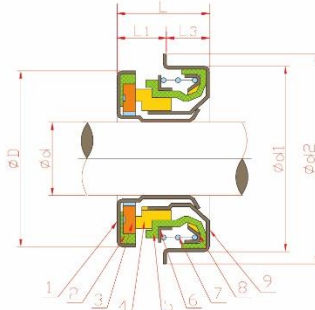


RM UH

型号/Model	d	d1	d2	D	L	L1	L3
RM UH-10	10.0	30.0	35.0	23.5	13.7	5.2	8.5
RM UH-12M	12.0	30.0	35.0	28.5	14.7	7.7	7.0
RM UH-1/2"	12.7	30.0	35.0	28.5	14.7	7.7	7.0

Application:

Pressure: 0.3MPa
 Speed: 10m/s
 Temperature: -20°C ~ 200°C



Specification:

NO.	配件/DESCRIPTION	材料/MATERIAL
1	轴套/Shaft sleeve	SUS304
2	橡胶套/Cup Gasket	NBR / HNBR
3	动环/Rotary ring	Alumina ceramic/SIC
4	静环/Stationary ring	Graphite carbon/SIC
5	橡胶波纹管/Bellows	NBR / HNBR
6	弹簧座A/Spring seat A	SUS304
7	弹簧/Spring	SUS304
8	弹簧座B/Spring seat B	SUS304
9	底座/Bed	SUS304

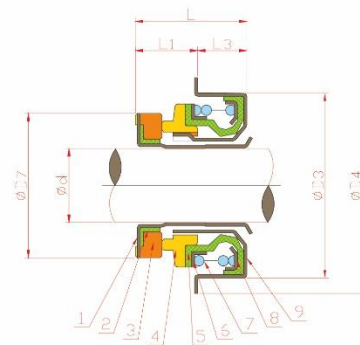


RM UPD

型号/Model	d	D3	D4	D7	L	L1	L3
RM UPD-10	10.0	30.0	35.0	22.0	13.7	5.2	8.5
RM UPD-12M	12.0	30.0	35.0	25.0	14.5	7.5	7.0
RM UPD-1/2"	12.7	30.0	35.0	25.0	14.5	7.5	7.0
RM UPD-15M	15.0	36.6	41.5	29.0	17.9	9.7	8.2
RM UPD-15L	15.0	38.0	43.5	29.0	17.9	9.7	8.2
RM UPD-16M	16.0	36.6	41.5	29.0	17.9	9.7	8.2
RM UPD-16L	16.0	38.0	43.5	29.0	17.9	9.7	8.2
RM UPD-3/4"	19.0	40.0	43.8	31.8	20.5	11.0	9.5

Application:

Pressure: 0.3MPa
 Speed: 10m/s
 Temperature: -30°C ~ 200°C



Specification:

NO.	配件/DESCRIPTION	材料/MATERIAL
1	轴套/Shaft sleeve	SUS304
2	橡胶套/Cup Gasket	NBR / HNBR
3	动环/Rotary ring	Alumina ceramic/SIC
4	静环/Stationary ring	Graphite carbon/SIC
5	橡胶波纹管/Bellows	NBR / HNBR
6	弹簧座A/Spring seat A	SUS304
7	弹簧/Spring	SUS304
8	弹簧座B/Spring seat B	SUS304
9	底座/Bed	SUS304

RM FBF

RM FW

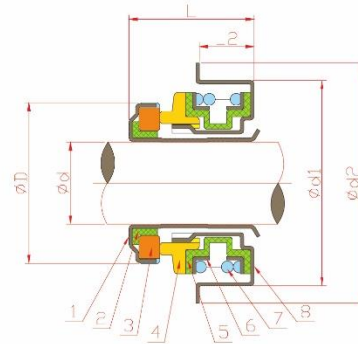


RM FBF

型号/Model	d	d1	d2	D	L	L2
RM FBF-12M	12	30	35	26.5	17.6	8
RM FBF-12E	12	30	35	23.5	16.8	8
RM FBF-12T	12	30	35	26.5	16.8	8
RM FBF-15M	15	36.45	41.5	31.2	19	8
RM FBF-16M	16	36.45	41.5	31.2	20.5	8

Application:

Pressure: 0.3MPa
Speed: 10m/s
Temperature: -20°C ~ 200°C



Specification:

NO.	配件/DESCRIPTION	材料/MATERIAL
1	轴套/Shaft sleeve	SUS304
2	橡胶套/Cup Gasket	NBR / HNBR
3	动环/Rotary ring	Alumina ceramic/SiC
4	静环/Stationary ring	Graphite carbon/SiC
5	橡胶波纹管/Bellows	NBR / HNBR
6	弹簧座/Spring seat	SUS304
7	弹簧/Spring	SUS304
8	底座/Bed	SUS304

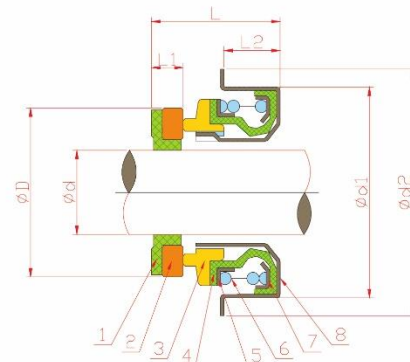


RM FW

型号/Model	d	d1	d2	D	L	L1	L2
RM FW-12M	12	30	35	24	14.5	5	8
RM FW-15M	15	36.45	41.5	29.5	15.7	5	8.7
RM FW-16M	16	36.45	41.5	29.5	15.7	5	8.7
RM FW-16L	16	38.1	43.5	29.5	15.7	5	8.7
RM FW-19	19	40	43.8	34	17.5	6	11
RM FW-20	20	40	43.8	34	17.5	6	11
RM FW-21	21	40	47	34	26.5	7	8

Application:

Pressure: 0.6MPa
Speed: 12m/s
Temperature: -30°C ~ 200°C



Specification:

NO.	配件/DESCRIPTION	材料/MATERIAL
1	橡胶套/Cup Gasket	NBR / HNBR
2	动环/Rotary ring	Alumina ceramic/SiC
3	静环/Stationary ring	Graphite carbon/SiC
4	橡胶波纹管/Bellows	NBR / HNBR
5	弹簧座A/Spring seat A	SUS304
6	弹簧/Spring	SUS304
7	弹簧座B/Spring seat B	SUS304
8	底座/Bed	SUS304



RM FG RM FD

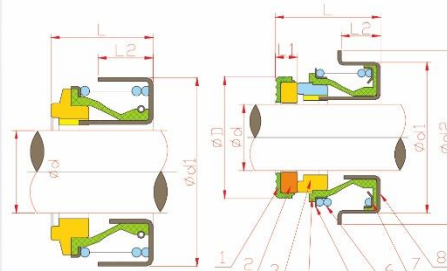


RM FG

型号/Model	d	d1	d2	D	L	L1	L2
RM FG-16	16	36.45	42	29.5	22.8	5	9.5
RM FG-17	17	35	/	29.5	21.8	5	11
RM FG-20	20	40	44	35	20.5	5	8.6
RM FG-25	25	47	/	/	20.3	/	15
RM FG-25L	25	52	/	/	22.8	/	12
RM FG-30	30	52	/	/	22	/	16

■ Application:

Pressure: 0.6MPa
 Speed: 10m/s
 Temperature: -30℃~200℃



■ Specification:

NO.	配件/DESCRIPTION	材料/MATERIAL
1	橡胶套/Cup Gasket	NBR / HNBR
2	动环/Rotary ring	Alumina ceramic/SiC
3	静环/Stationary ring	Graphite carbon/SiC
4	橡胶波纹管/Bellows	NBR / HNBR
5	弹簧座A/Spring seat A	SUS304
6	弹簧/Spring	SUS304
7	弹簧座B/Spring seat B	SUS304
8	底座/Bed	SUS304/Brass

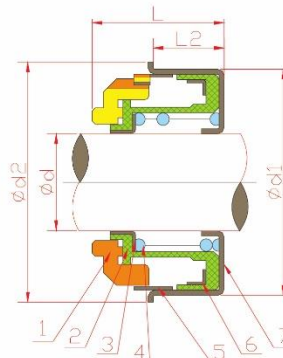


RM FD

型号/Model	d	d1	d2	L	L2
RM FD-20B	20	40	42.5	17.5	11

■ Application:

Pressure: 0.6MPa
 Speed: 10m/s
 Temperature: -30℃~200℃



■ Specification:

NO.	配件/DESCRIPTION	材料/MATERIAL
1	静环/Stationary ring	Graphite carbon
2	橡胶波纹管/Bellows	NBR / HNBR
3	弹簧座A/Spring seat A	SUS304
4	弹簧/Spring	SUS304
5	挡圈/Closing ring	SUS304/ BRASS
6	弹簧座B/Spring seat B	SUS304
7	底座/Bed	Brass

RM FK RM FT



RM FK

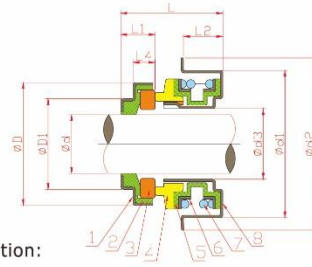
型号/Model	d	d1	d2	d3	D	D1	L	L1	L2	L4
RM FK-16S	16	34.2	39.5	18.2	33	23	24.8	10	7	5
RM FK-16M	16	36.45	41.5	18.2	33	23	24.8	10	8	5
RM FK-16L	16	38.1	43.5	18.2	33	23	24.8	10	8	5
RM FK-19	19	32.5	36	19.2	32	23	26.5	10	8	5.5
RM FK-20S	20	38.1	43.8	21.2	37	32	26.5	10	9.5	5
RM FK-20L	20	40	43.8	21.2	38	27	26.5	10	9.5	5
RM FK-25	25	47	51	26.4	47	30.5	31.8	13	10	8.5
RM FK-30	30	52	57	31	50	42.8	35.5	15	11	9.5
RM FK-40	40	69	75	41.2	65	50.5	45.8	21	12.8	13

Application:

Pressure: 0.6MPa
Speed: 10m/s
Temperature: -30℃~200℃

Specification:

NO.	配件/DESCRIPTION	材料/MATERIAL
1	骨架/Framework	SUS304/Lron
2	橡胶套/Cup Gasket	NBR / HNBR
3	动环/Rotary ring	Alumina ceramic/SiC
4	静环/Stationary ring	Graphite carbon/SiC
5	橡胶波纹管/Bellows	NBR / HNBR
6	弹簧座/Spring seat	SUS304
7	弹簧/Spring	SUS304
8	底座/Bed	SUS304



RM FT

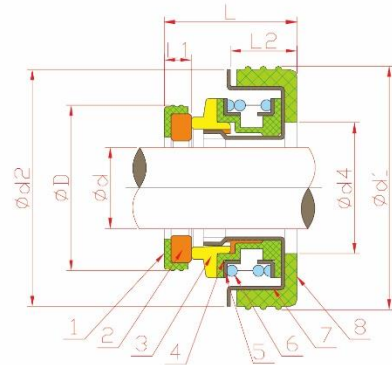
型号/Model	d	d4	d1	d2	D	L	L1	L2
RM FT-10	10	15	27	29	23	18	4	7.5
RM FT-12	12	20	32	35	25	19.2	5	8.5
RM FT-16	16	22	41	41.5	31	21.8	5	9.5
RM FT-20	20	30	45	43.8	35	22.5	5	11
RM FT-25	25	35	52	51	44	27.0	7	11.5
RM FT-30	30	40	58	57	48	29.0	8	12.5

Application:

Pressure: 0.5MPa
Speed: 15m/s
Temperature: -30℃~200℃

Specification:

NO.	配件/DESCRIPTION	材料/MATERIAL
1	橡胶套/Cup Gasket	NBR / HNBR
2	动环/Rotary ring	Alumina ceramic/SiC
3	静环/Stationary ring	Graphite carbon/SiC
4	橡胶波纹管/Bellows	NBR / HNBR
5	弹簧座/Spring seat	SUS304
6	弹簧/Spring	SUS304
7	底座/Bed	SUS304
8	橡胶套/Cup Gasket	NBR / HNBR



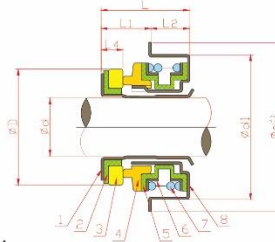


RM FBM RM FBU



RM FBM

型号/Model	d	d1	d2	D	L	L1	L2	L4
RM FBM-12S	12.0	28.55	35.0	23.8	18.2	9.7	8.5	4.0
RM FBM-12M	12.0	30.0	35.0	23.8	18.2	9.7	8.5	4.0
RM FBM-12L	12.0	33.4	38.0	23.8	18.2	10.7	7.5	3.6
RM FBM-12X	12.0	38.1	43.8	23.8	18.2	9.7	8.5	4.0
RM FBM-16M	16.0	36.5	41.5	26.3	19.8	11.3	8.5	5.0
RM FBM-16L	16.0	38.1	43.8	26.3	20.0	11.5	8.5	5.0
RM FBM-16XL	16.0	39.4	43.8	26.3	20.0	11.5	8.5	5.0
RM FBM-16X	16.0	47.6	54.6	26.3	20.0	11.5	8.5	5.0
RM FBM-3/4"	19.05	40.0	43.8	32.0	22.0	12.5	9.5	5.0



Application:

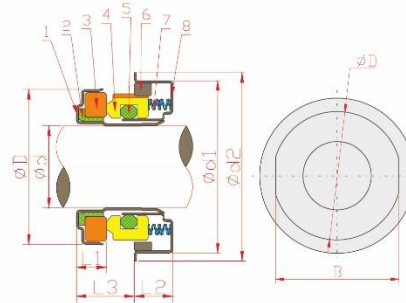
Pressure: 0.3MPa
 Speed: 10m/s
 Temperature: -20°C ~ 200°C

NO.	配件/DESCRIPTION	材料/MATERIAL
1	轴套/Shaft sleeve	SUS304
2	橡胶套/Cup Gasket	NBR / HNBR
3	动环/Rotary ring	Alumina ceramic/SIC
4	静环/Stationary ring	Graphite carbon/SIC
5	橡胶波纹管/Bellows	NBR / HNBR
6	弹簧座/Spring seat	SUS304
7	弹簧/Spring	SUS304
8	底座/Bed	SUS304



RM FBU

型号/Model	d	d1	d2	D	L1	L2	L3	B
RM FBU-5/8"	15.875	36.45	41.5	32	7	9.4	11	30.5
RM FBU-3/4"	19.05	40	43.8	36	7	9.4	11	34.5
RM FBU-1"	25.04	50.8	55.8	42.5	7	13.8	8.8	/



Specification:

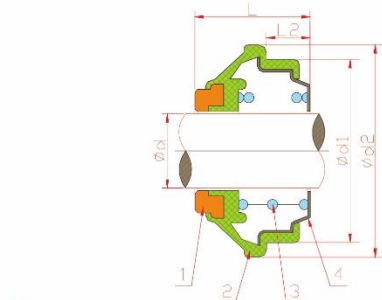
NO.	配件/DESCRIPTION	材料/MATERIAL
1	轴套/Shaft sleeve	SUS304
2	橡胶套/Cup Gasket	NBR / HNBR
3	动环/Rotary ring	Alumina ceramic/SIC
4	静环/Stationary ring	Graphite carbon/SIC
5	O形圈/O ring	NBR / HNBR
6	挡圈/Closing ring	SUS304
7	弹簧/Spring	SUS304
8	底座/Bed	SUS304

RM K RMGY-35



RM K

型号/Model	d	d1	d2	L	L2
RM K-12	12	29	36	14	8
RM K-14A	14	34	40.6	15.5	7
RM K-14B	14	30	36	16.5	7
RM K-14C	14	35	40.6	15.5	7
RM K-16A	16	38	43.6	16.5	8
RM K-16B	16	37	42.5	16.5	8
RM K-16C	16	36	42	16.5	8
RM K-17	17	35	44	16.5	6.5
RM K-19	19	40	49	15.5	8
RM K-20	20	35	46	16.5	8
RM K-28	28	49	56.5	27.5	9.5



Application:

Pressure: 0.6MPa
 Speed: 5m/s
 Temperature: -30°C ~ 200°C

Specification:

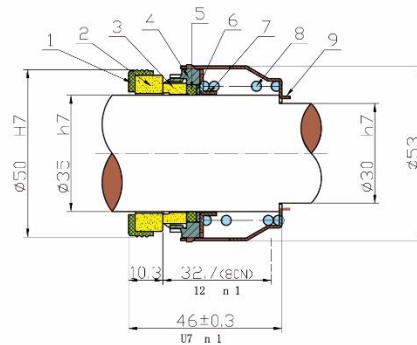
NO.	配件/DESCRIPTION	材料/MATERIAL
1	静环/Stationary ring	Graphite carbon
2	橡胶波纹管/Bellows	NBR
3	弹簧/Spring	SUS304
4	弹簧座/Spring seat	SUS304



RM GY-35

Application:

Pressure: 1MPa
 Speed: 12m/s
 Temperature: -30°C ~ 200°C



Specification:

NO.	配件/DESCRIPTION	材料/MATERIAL
1	静套 Cup gasket	VITON 氟胶
2	静环 Stationary face	SIC 碳化硅
3	动环 Rotary face	TC 硬质合金
4	动座 Seat	SUS304
5	动圈 O ring	VITON 氟胶
6	垫圈 Gasket	SUS304
7	推环 Retainer	SUS304
8	弹簧 Spring	SUS304
9	传动套 Driving part	SUS304



RMT RM TA

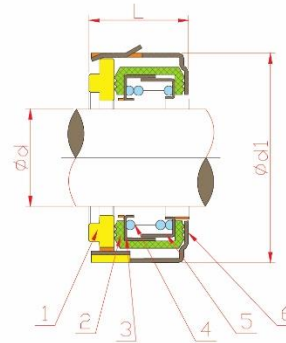


RMT

型号/Model	d	d1	L
RM T-08	16	36.5	16.5
RM T-08S	16	33.4	14.5
RM T-04	20	43	18
RM T-02S	25	51	25.5
RM T-02M	25	52	23
RM T-02L	25	52.5	29

Application:

Pressure: 0.6MPa
 Speed:10m/s
 Temperature: -30℃~200℃



Specification:

NO.	配件/DESCRIPTION	材料/MATERIAL
1	静环/Stationary ring	Graphite carbon
2	橡胶波纹管/Bellows	NBR
3	弹簧座A/Spring seat A	SUS304/Lron
4	弹簧/Spring	SUS304/65Mn
5	弹簧座B/Spring seat B	SUS304/Lron
6	底座/Bed	Brass

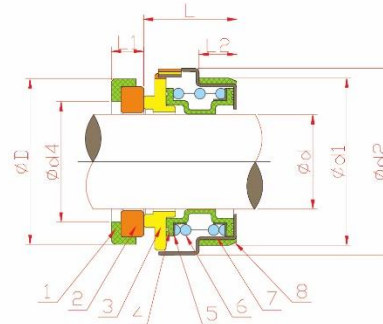


RM TA

型号/Model	d	d1	d2	d4	D	L	L1	L2
RM TA-25	25	44	49.6	32	44	21.5	8.5/10	10

Application:

Pressure: 0.3MPa
 Speed:10m/s
 Temperature: -30℃~200℃



Specification:

NO.	配件/DESCRIPTION	材料/MATERIAL
1	橡胶套/Cup Gasket	NBR
2	动环/Rotary ring	Alumina ceramic/SiC
3	静环/Stationary ring	Graphite carbon
4	橡胶波纹管/Bellows	NBR / HNBR
5	弹簧座/Spring seat	SUS304
6	弹簧/Spring	SUS304
7	底座/Bed	Brass
8	橡胶套/Cup Gasket	NBR

RM FBT RM SB

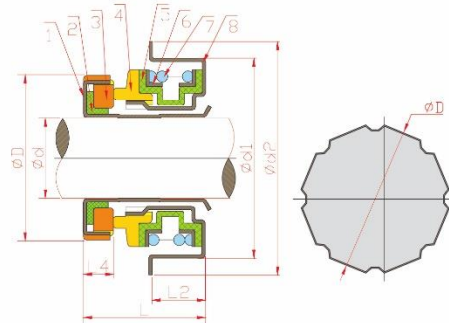


RM FBT

型号/Model	d	d1	d2	D	L	L2	L4
RM FBT- 3/4"	19.05	40	43.5	34	22	9.5	6

■ Application:

Pressure: 4 bar
 Speed: 12m/s
 Temperature: -35 °C ~200°C



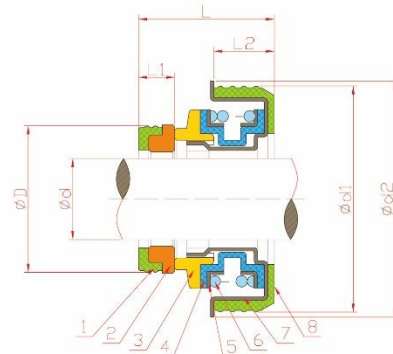
■ Specification:

NO.	配件/DESCRIPTION	材料/MATERIAL
1	轴套/Shaft sleeve	SUS304
2	橡胶套/Cup Gasket	NBR / HNBR
3	动环/Rotary ring	Alumina ceramic/SIC
4	静环/Stationary ring	Graphite carbon/SIC
5	橡胶波纹管/Bellows	NBR / HNBR
6	弹簧座/Spring seat	SUS304
7	弹簧/Spring	SUS304
8	底座/Bed	SUS304



RM SB

型号/Model	d	d1	d2	D	L	L1	L2
RM SB-12S	12	26	32	18	20.8	6.8	8
RM SB-12	12	30	35	24	19.5	4.5	9.5
RM SB-13	13	30	38	25	18.7	5	8.5
RM SB-15S	15	30	34.5	21.5	22.8	6.8	9
RM SB-17S	17	35	41.5	25	27	7.5	9
RM SB-20	20	40	43.8	36	29.5	7	10.5
RM SB-25	25	50	51	42	31.5	8	13.5
RM SB-28	28	54	57	45	31.5	7.5	14.5
RM SB-30	30	54	57	45	32.2	8.2	14.5



■ Specification:

NO.	配件/DESCRIPTION	材料/MATERIAL
1	橡胶套/Cup Gasket	NBR / HNBR
2	动环/Rotary ring	Alumina ceramic/SIC
3	静环/Stationary ring	Graphite carbon/SIC
4	橡胶波纹管/Bellows	NBR / HNBR
5	弹簧座/Spring seat	SUS304
6	弹簧/Spring	SUS304
7	底座/Bed	SUS304
8	橡胶套/Cup Gasket	NBR / HNBR



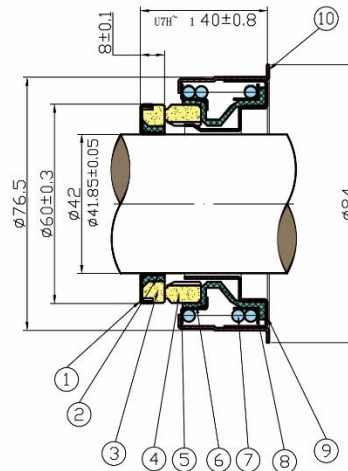
1022-42



1022-42

■ Specification:

NO.	配件/DESCRIPTION	材料/MATERIAL
1	轴套 Shaft sleeve	SUS304
2	动胶 Rotary rubber	HNBR 氯化丁腈胶
3	动环 Rotary face	SIC 碳化硅
4	静环 Stationary ring	SIC 碳化硅
5	上压圈 Retainer	SUS304
6	波纹管 Rubber bellows	HNBR 氯化丁腈胶
7	弹簧 Spring	SUS304
8	下压圈 Retainer	SUS304
9	传动套 Driving part	SUS304
10	底座 Bed	SUS304



机械密封件材料组合及使用介质参考说明

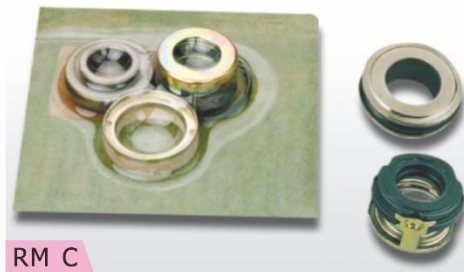
Materials group & Medium of Mechanical seals

部件 Parts	材质 Materials	材质特点与用途 Materials Feature&Application
动环 Rotary face	碳石墨 Graphite carbon	具有良好的耐腐蚀性、低摩擦系数、自润滑性好；适用于水、油、酸、碱等介质。 Good corrosion-resistant, low frictional, good self-lubrication; applied to water, oil, acid, alkali, etc
	氧化铝陶瓷 Alumina ceramic	耐高温、耐化学腐蚀、耐磨损；适用于除氢氟酸外各种高浓度酸等介质。 Resistant to heat, corrosion, and wear; all mediums except hydrofluoric acid
静环 Stationary face	碳化硅 SIC (Silicon carbide)	耐腐蚀、耐磨损、高导热率、自润滑性好；适用于各种浓度酸、碱、有机物等介质 Resistant to corrosion and wear, high thermal conductivity and good self-lubrication; working well in acid, weak alkali, organic solvents etc.
	丁腈胶 NBR	耐油、耐压、耐磨、弹性好、强度高；适用于-30℃-100℃的清水、油等介质。 Resistant to oil, pressure and wear, good elasticity and mechanical strength; applicable to the mediums including water, oil, alcohol, etc from -20℃-100℃
波纹管 Bellows	氯化丁腈胶 HNBR	良好的耐油、耐热，耐氟利昂，耐臭氧等性能，高强度，耐磨性能优异-40℃-200℃ Good oil resistance, heat resistance, resistance to freon, ozone resistant properties, High strength, excellent wear resistance
静环套 Cup gasket	氟胶 VITON	氟橡胶具有耐高温、耐油、耐乙醇、耐高真空及耐酸碱、耐多种化学药品的特点，已应用于现代航空、导弹、火箭、宇宙航行、舰艇、原子能等尖端技术及汽车、造船、化学、石油、电讯、仪器、机械等工业领域，-40℃-250℃ Viton rubber has the characteristics of high temperature resistance, oil resistance, ethanol resistance, high vacuum resistance, acid and alkali resistance, and resistance to a variety of chemicals, -40 ° C ~ 250 ° C
O型圈 O Ring		
传动套 Retainer	SUS304 SUS316	耐腐蚀，防锈 Corrosion and rust-resistant
紧圈 Driveing		
弹簧 Spring		
弹簧座 Spring seat		

RM C



Automotive air conditioning compressors seals
汽车空调压缩机密封



RM C

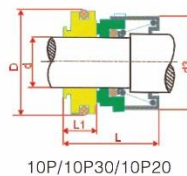
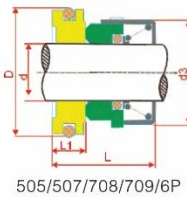
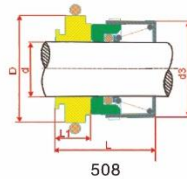
■ Application:

压力: 2.5-3MPa
线速度: 10米/秒
温度: -20℃ ~ 180℃

Pressure: 2.5-3MPa
Speed: 10m/s
Temperature: -20℃ ~ 180℃

NO.	配件/DESCRIPTION	材料/MATERIAL
1	传动套 Retainer	铁 A3
2	弹簧 Spring	锰钢/不锈钢 65Mn/SUS304/SUS316
3	弹簧垫 Spring Holder	铁 A3
4	O形圈 O Ring	丁腈胶/氢化丁腈胶 NBR/HNBR
5	动环 Rotary Ring	石墨 Carbon
6	静环 Stationary Ring	铸铁/不锈钢 Cast Iron/SUS304/SUS316

型号 Model	d	d3	D	L	L1
RMC-505/507	13	21.8	26.0	21.7	6.5
RMC-508	14	27.2	30.1	27.8	10.5
RMC-708	14	24.3	28	19	7.5
RMC-709	14	24.3	28	19.8	7.5
RMC-6P	14	26.2	30	20.8	8
RMC-6PA	14	26	30	20.8	8
RMC-10P	14	28	30	26.5	11
RMC-10PA	14	28	30	26.5	11
RMC-10P30	16	30	35	25.6	8
RMC-10P20	20	33.6	40	25	11.3





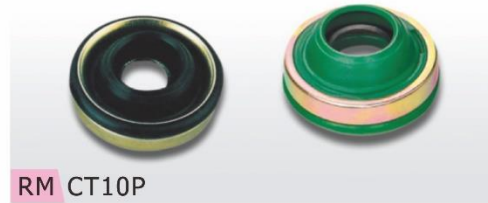
RM CT RM CT10P



RM CT

■ Application:

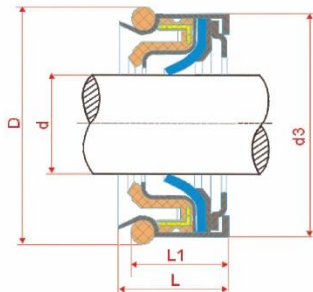
压力: 2.5-3MPa OPERATING LIMITS:
 线速度: 10米/秒 Pressure: 2.5-3MPa
 温度: -20°C ~ 180°C Speed:10m/s
 Temperature: -20°C ~ 180°C



RM CT10P

■ Application:

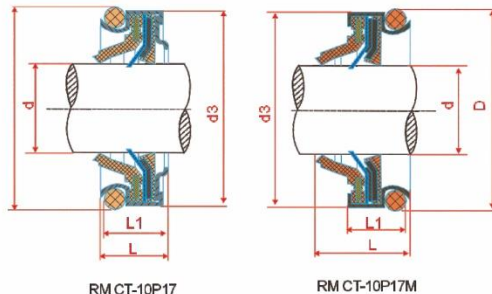
压力: 2.5-3MPa OPERATING LIMITS:
 线速度: 10米/秒 Pressure: 2.5-3MPa
 温度: -20°C ~ 180°C Speed:10m/s
 Temperature: -20°C ~ 180°C



■ Specification:

NO.	配件/DESCRIPTION	材料/MATERIAL
1	挡圈 Halted ring	锰钢/铁/不锈钢 IRON A3/SUS304
2	压圈 Drive ring	锰钢/铁/不锈钢 IRON A3/SUS304
3	密封环 Seal ring	聚四氟乙烯 PTFE
4	垫圈 Washer	丁腈胶/氢化丁腈胶 NBR/HNBR
5	骨架 Framework	锰钢/铁 IRON A3
6	波纹管 Bellows	丁腈胶/氢化丁腈胶 NBR/HNBR
7	传动圈 Retainer	不锈钢 SUS304/SU316
8	O形圈 O Ring	丁腈胶/氢化丁腈胶 NBR/HNBR

型号Model	d	d3	D	L	L1
RMCT-505	12.7	24	24	11.2/12	10/10.5
RMCT-505H	12.7	23	23	15	13.5
RMCT-508	14.3	26	26	11.6	10
RMCT-32	17	32	32	14.2	10.4
RMCT-40	20	40	40	12.8	11.8
RMCT-30	16	30	30	14.3	10
RMCT-30A	12.7	30	30	14.4	10.5
RMCT-30B	16	30	30	10.6	8



■ Specification:

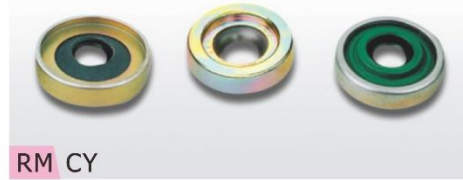
NO.	配件/DESCRIPTION	材料/MATERIAL
1	挡圈 Halted Ring	铁/不锈钢 A3/SUS304
2	压圈 Drive Ring	铁/不锈钢 A3/SUS304
3	密封环 Seal Ring	聚四氟乙烯 PTFE Impregnated Carbon
4	垫圈 Washer	丁腈胶/氢化丁腈胶 NBR/HNBR
5	骨架 Framework	铁 A3
6	波纹管 Bellows	丁腈胶/氢化丁腈胶 NBR/HNBR
7	传动圈 Retainer	不锈钢 SUS304/SU316
8	O形圈 O Ring	丁腈胶/氢化丁腈胶 NBR/HNBR

型号Model	d	d3	D	L	L1
RMCT-10P17	14.3	30	30	13	9
RMCT-10P17M	14.3	30	30	16.8	9
RMCT-10P17A	14.3	30	30	9.5	8.2
RMCT-10P30C	17	35	35	15	8.5

RM CB RM CY



RM CB



RM CY

Application:

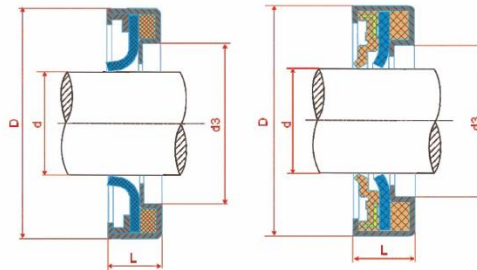
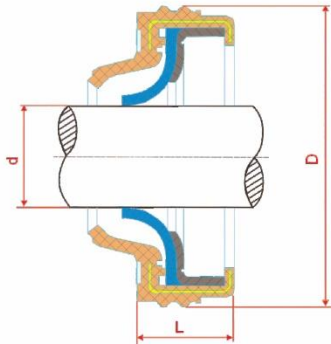
压力: 2.5-3MPa
 线速度: 10米/秒
 温度: -20°C ~ 180°C

OPERATING LIMITS:
 Pressure: 2.5-3MPa
 Speed: 10m/s
 Temperature: -20°C ~ 180°C

Application:

压力: 2.5-3MPa
 线速度: 10米/秒
 温度: -20°C ~ 220°C

OPERATING LIMITS:
 Pressure: 2.5-3MPa
 Speed: 10m/s
 Temperature: -20°C ~ 220°C



Specification:

NO.	配件/DESCRIPTION	材料/MATERIAL
1	压圈 Drive Ring	铁/不锈钢 A3/SUS304
2	密封环 Seal Ring	聚四氟乙烯 PTFE Impregnated Carbon
3	波纹管 Bellows	氯化丁腈胶 HNBR
4	骨架 Framework	铁/不锈钢 A3/SUS304

Specification:

NO.	配件/DESCRIPTION	材料/MATERIAL
1	压圈 Drive Ring	铁/不锈钢 A3/SUS304
2	密封环 Seal Ring	聚四氟乙烯 PTFE
3	波纹管 Bellows	氯化丁腈胶 HNBR/NBR
4	骨架 Framework	铁/不锈钢 A3/SUS304

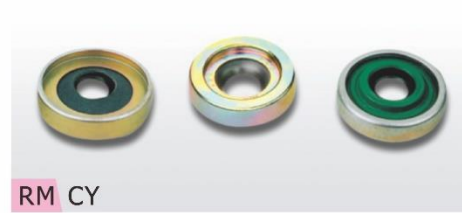
型号Model	d	D	L
RMCB-505A	12.7	24	7
RMCB-505B	12.7	25	7
RMCB-505C	13.5	28	7.2
RMCB-507	14.3	23	5.8
RMCB-508S	14.3	26	7
RMCB-508M	14.3	30	10
RMCB-508A	14.3	30	7.5
RMCB-508B	14.3	30	9.5
RMCB-508L	18	32	7

型号Model	d	d3	D	L
RMCY-8A	14.3	22	31.5	7.6
RMCY-8B	14.3	22	31.5	7.6
RMCY-8BZ	14.3	22	31.5	7.6

RM CB RM CY



RM CB



RM CY

■ Application:

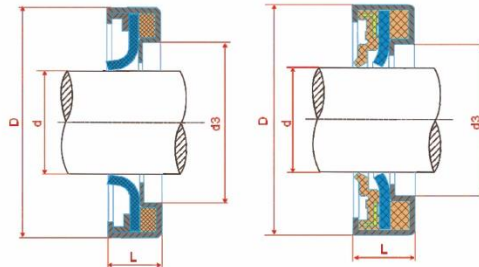
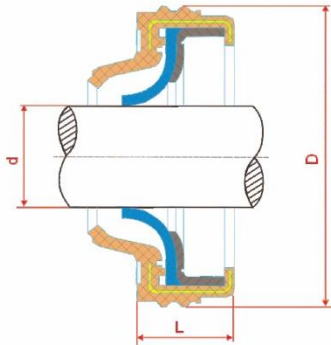
压力: 2.5-3MPa
 线速度: 10米/秒
 温度: -20℃ ~ 180℃

OPERATING LIMITS:
 Pressure: 2.5-3MPa
 Speed:10m/s
 Temperature: -20℃ ~ 180℃

■ Application:

压力: 2.5-3MPa
 线速度: 10米/秒
 温度: -20℃ ~ 220℃

OPERATING LIMITS:
 Pressure: 2.5-3MPa
 Speed:10m/s
 Temperature: -20℃ ~ 220℃



■ Specification:

NO.	配件/DESCRIPTION	材料/MATERIAL
1	压圈 Drive Ring	铁/不锈钢 A3/SUS304
2	密封环 Seal Ring	聚四氟乙烯 PTFE Impregnated Carbon
3	波纹管 Bellows	氢化丁腈胶 HNBR
4	骨架 Framework	铁/不锈钢 A3/SUS304

型号Model	d	D	L
RMCB-505A	12.7	24	7
RMCB-505B	12.7	25	7
RMCB-505C	13.5	28	7.2
RMCB-507	14.3	23	5.8
RMCB-508S	14.3	26	7
RMCB-508M	14.3	30	10
RMCB-508A	14.3	30	7.5
RMCB-508B	14.3	30	9.5
RMCB-508L	18	32	7

■ Specification:

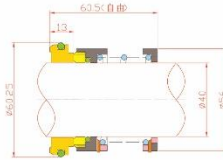
NO.	配件/DESCRIPTION	材料/MATERIAL
1	压圈 Drive Ring	铁/不锈钢 A3/SUS304
2	密封环 Seal Ring	聚四氟乙烯 PTFE
3	波纹管 Bellows	氢化丁腈胶 HNBR/NBR
4	骨架 Framework	铁/不锈钢 A3/SUS304

型号Model	d	d3	D	L
RM CY-8A	14.3	22	31.5	7.6
RM CY-8B	14.3	22	31.5	7.6
RM CY-8BZ	14.3	22	31.5	7.6



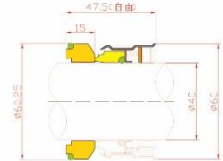
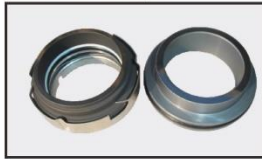
RM 552A/552B/552C/BFK-40

RM 552-A 简易型



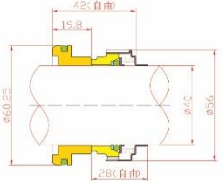
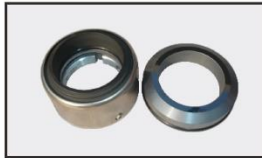
用于大巴比泽尔压缩机。For BITZER compressor

RM 552-B 新款



用于大巴比泽尔压缩机。可代替比泽尔新款。For BITZER compressor。
4UFC(Y) 4NFC(Y)
6UFC(Y) 6NFC(Y)

RM 552-C 老款



用于大巴比泽尔压缩机。可代替比泽尔老款。For BITZER compressor。
4UFC(Y) 4NFC(Y)
6UFC(Y) 6NFC(Y)

技术参数:

压力: 1.2MPa 线速度: 10米/秒 温度: -30℃ ~ 200℃

Operation Limits: Pressure: 1.2MPa Speed: 10m/s Temperature: -30℃ ~ 200℃

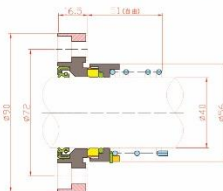
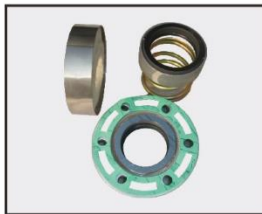
材料:

冲压件 (Punching parts) : A3铁/不锈钢 (A3/SUS304)

橡胶 (Rubber) : 氢化丁腈胶 (HNBR)

密封环 (Seal ring) : 浸制石墨/碳华硅 (Impregnated carbon/SiC)

RM BFK-40 (for Bock compressor) 用于博克压缩机



用于大巴比泽尔压缩机。可代替比泽尔老款。For BITZER compressor。
4UFC(Y) 4NFC(Y)
6UFC(Y) 6NFC(Y)

材料 (Material) :

密封环 (Seal ring) : 合金/浸制石墨 (TC/Impregnated carbon)

橡胶 (Rubber) : 氢化丁腈胶 (HNBR)

弹簧 (Spring) : 不锈钢 (SUS304)

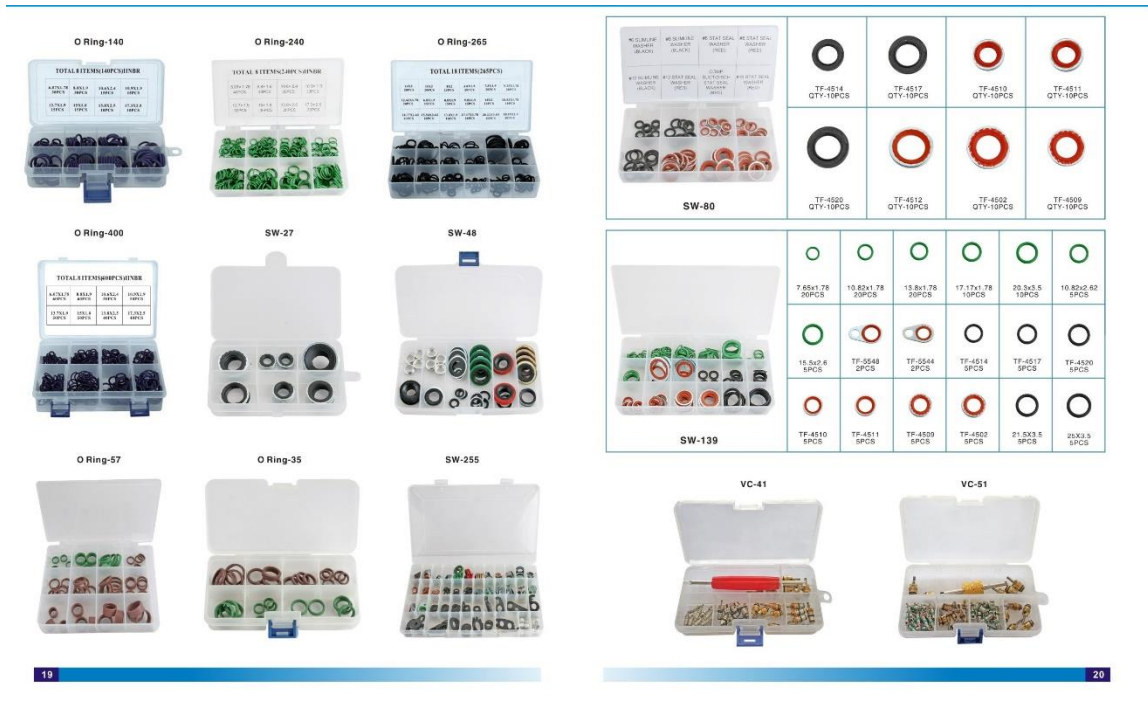
冲压件 (stamping part) : 不锈钢、铝 (SUS304, ALUMINUM)

技术参数 (Operating Limits) :

压力 (Pressure) : ≤1.5MPa

转速 (Rotary ring) : ≤3500转/分 (r/min)

温度 (Temperature) : -40℃ ~ 150℃



For Rimi Seal Catalogs:

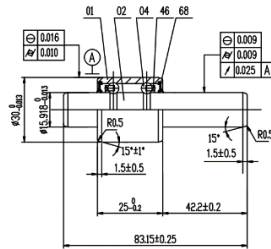
There are also mechanical seal catalog (1) and catalog (2)

For more information pls visit us in www.rimi.com

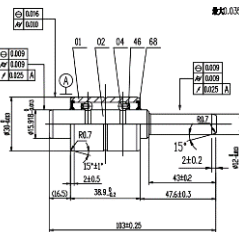


SPECIFICATION:

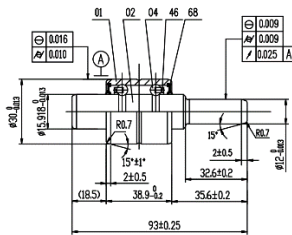
WPB1630083 Auto water pump bearing used in XU7



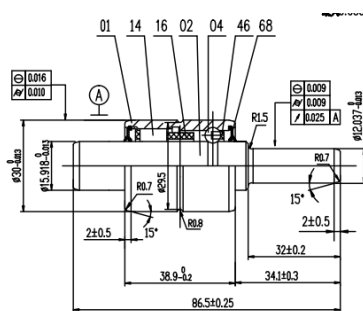
WPB1630103 Auto water pump bearing used in KIA PRIDE



WPB163093 NISSAN water pump bearing used in



WPB1630087 Auto water pump bearing used in PEUGEOT(EFT)



WPB1630102 Auto water pump bearing used in Paykan

